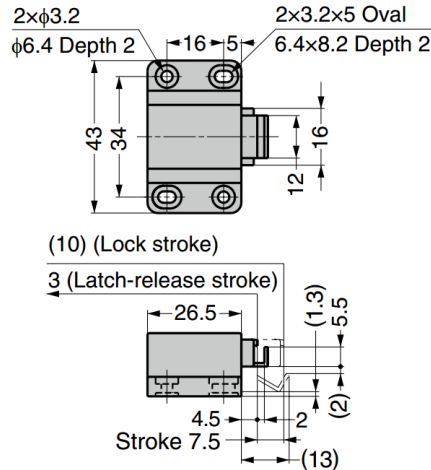


## GPR-21P Touch Latch

### Features

- No handle needed, just push to open/close
- Lightly push to open the door. When closing, arm will catch the counter plate and hold the door with a light push
- Counter plate included

| No. | Part Name     | Material     | Finish / Colour |
|-----|---------------|--------------|-----------------|
| ①   | Body          | ABS          | Black, Brown    |
| ②   | Slide         | POM          |                 |
| ③   | Arm           | Steel (SPCC) | Paint/Brown     |
| ④   | Yoke          |              | GB              |
| ⑤   | Counter Plate |              | Chrome          |



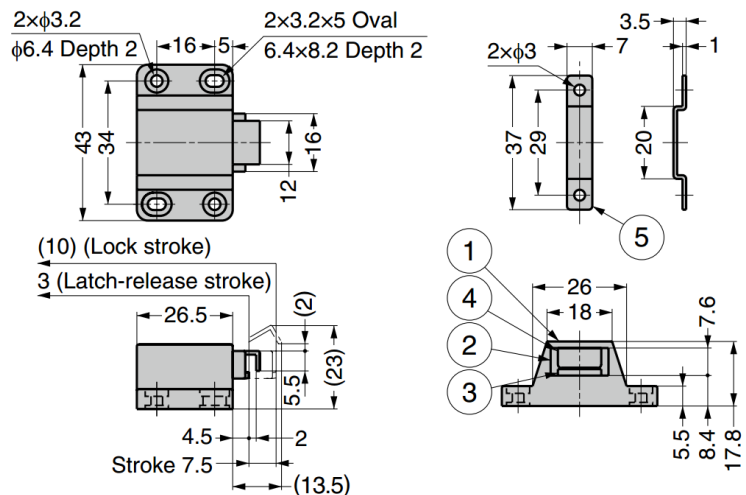
| Part No. | Colour |
|----------|--------|
| GPR-21PK | Black  |
| GPR-21PD | Brown  |

## GPR-20P Touch Latch

### Features

- No handle needed, just push to open/close
- Lightly push to open the door. When closing, arm will catch the counter plate and hold the door with a light push
- Counter plate included

| No. | Part Name     | Material     | Finish / Colour |
|-----|---------------|--------------|-----------------|
| ①   | Body          | ABS          | Black, Brown    |
| ②   | Slide         | POM          |                 |
| ③   | Arm           | Steel (SPCC) | Paint/Brown     |
| ④   | Yoke          |              | GB              |
| ⑤   | Counter Plate |              | Chrome          |



| Part No. | Colour |
|----------|--------|
| GPR-20PK | Black  |
| GPR-20PD | Brown  |